

1 2 3 4 5 6 7

A

B

C

D

E

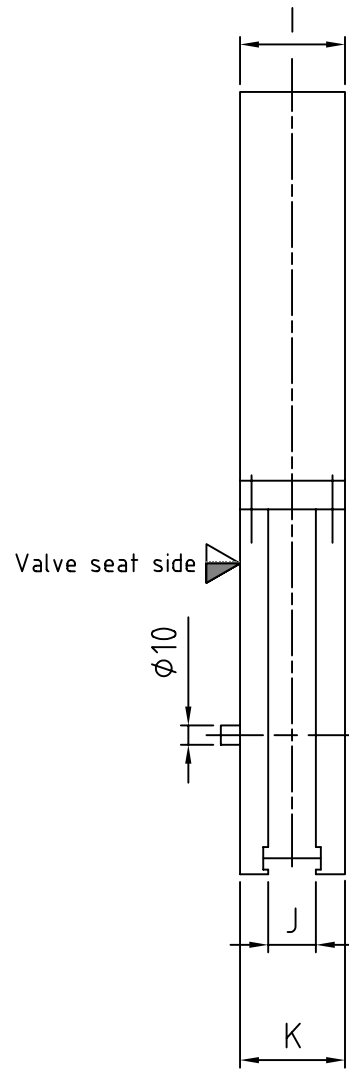
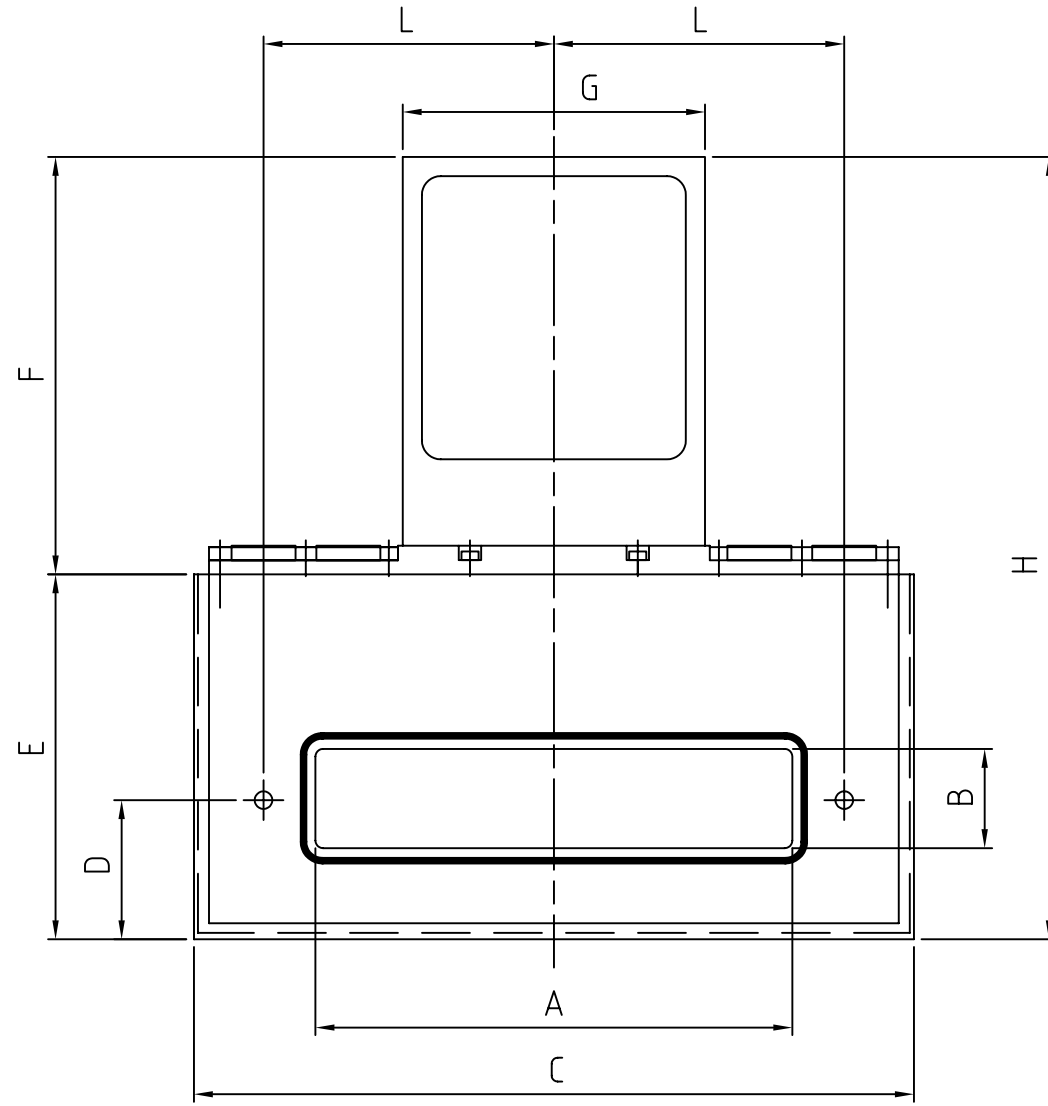
A

B

C

D

E



Specification

- Leak Rate ■ Body : 2×10^{-8} Torr ℓ /sec (UHV)
 ■ Gate : 1×10^{-7} Torr ℓ /sec (Viton)
- Temperature ■ Body : 150°C
 ■ Gate : 150°C
 ■ Actuator : 150°C (Sensor:60°C)
- Cycles until First Service 500,000 Cycle or 1 Year
- Material ■ Body · Gate · Bonnet : 300 Series Stainless Steel
 ■ Air Cylinder : Aluminum
 ■ Welded Bellows : AM-350 Series Stainless Steel
 ■ Bonnet Seal : Metal / Viton Elastomer
 ■ Gate Seal : Viton Elastomer (Option Kalrez)
 ■ Air Piston Seal : Viton Elastomer
- Actuator ■ Pneumatic
 - Air Pressure : 70~100 psig
 - Air Speed Control Valve
 - position Indicators : 20mA AC110V/220V, 40mA DC24V
- Mounting Position Any (High Size : Vertical)

Rectangular Gate Valve

Port Size	A	B	C	D	E	F	G	H	I	J	K	L
2" x 8"	203.2	50.8	332.2	73	190	218	160	408	55	25	55	130
2" x 10"	254	50.8	383	73	190	218	160	408	55	25	55	155
2" x 12"	304.8	50.8	433.8	73	190	218	160	408	55	25	55	180
3" x 8"	203.2	76.2	332.2	85.7	240.8	288.4	160	529.2	55	25	55	130
3" x 10"	254	76.2	383	85.7	240.8	288.4	160	529.2	55	25	55	155
3" x 12"	304.8	76.2	433.8	85.7	240.8	288.4	160	529.2	55	25	55	180

名 称	版数	ページ
Dimension MGI Rectangular Gate Valve		