

A

B

C

D

E

1

2

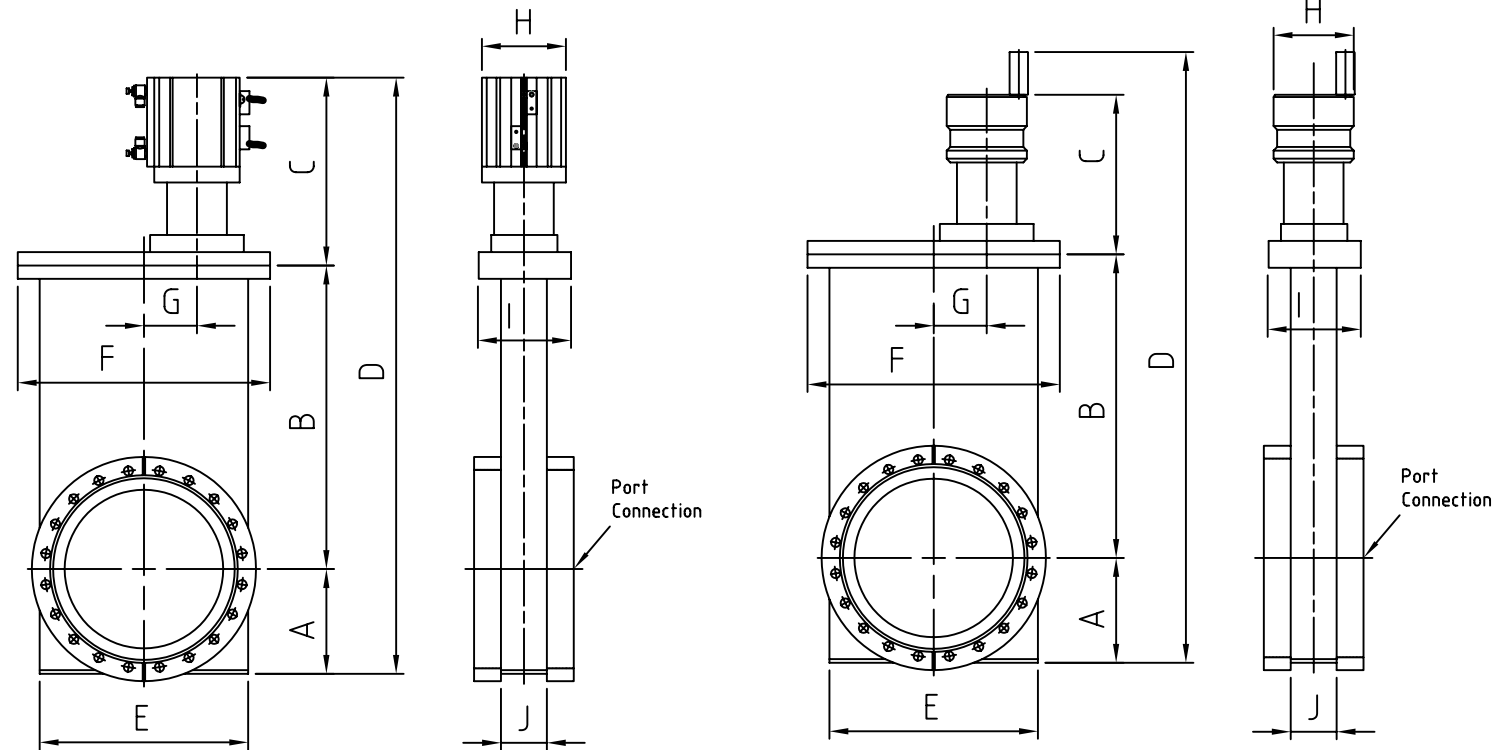
3

4

5

6

7



Pneumatic Type

Manual Type

Specification

Leak Rate	<ul style="list-style-type: none"> ■ Body : 2×10^{-10} Torr ℓ/sec (Metal) 2×10^{-9} Torr ℓ/sec (Viton) ■ Gate : 1×10^{-8} Torr ℓ/sec (Viton)
Pressure Range	2×10^{-10} Torr ~ atm (Metal) / 2×10^{-8} Torr ~ atm (Metal)
Temperature	<ul style="list-style-type: none"> ■ Body : 250°C (Metal) , 150°C (Viton) ■ Gate : 150°C ■ Actuator : 150°C (Sensor:60°C)
Cycles until First Service	500,000 Cycle or 1 Year
Material	<ul style="list-style-type: none"> ■ Body · Gate · Bonnet : 300 Series Stainless Steel ■ Air Cylinder : Aluminum ■ Welded Bellows : AM-350 Series Stainless Steel ■ Bonnet Seal : Metal / Viton Elastomer ■ Gate Seal : Viton Elastomer (Option Kalrez) ■ Air Piston Seal : Viton Elastomer
Actuator	<ul style="list-style-type: none"> ■ Pneumatic <ul style="list-style-type: none"> - Air Pressure : 70~100 psig (High Size 8"~12" : 80~100psig) - Air Speed Control Valve - position Indicators : 20mA AC110V/220V, 40mA DC24V ■ Manual <ul style="list-style-type: none"> - Hand Wheel Type
Mounting Position	Any (High Size : Vertical or Horizontal)

Dimension Pneumatic Type

Port Size	A	B	C	D	E	F	G	H	I	J
1.5"	38.5	100.5	99	238	69.5	92	16	45	48	25.4
2"	52.5	142	122.5	317	99.5	132	23	52	64	32.5
2.5"	52.5	142	122.5	317	99.5	132	23	52	64	32.5
3"	74.5	223	166.5	464	140	184	31	64	82	40
4"	74.5	223	166.5	464	140	184	31	64	82	40
5"	97	277	172	546	190	230	47	77	82	42
6"	97	277	172	546	190	230	47	77	82	42
8"	121.5	353.5	195.5	670.5	239	279	71.5	98	82	42
10"	150.5	436.5	229	818	290	330	83	117	89	48
12"	167	552	272	1011	368	420	104	142	110	58

Dimension Manual Type

Port Size	A	B	C	D	E	F	G	H	I	J
1.5"	38.5	100.5	78.5	217.5	69.5	92	16	48	48	25.4
2"	52.5	142	88	282.5	99.5	132	23	57	64	32.5
2.5"	52.5	142	88	282.5	99.5	132	23	57	64	32.5
3"	74.5	223	141	480	140	184	31	73	82	40
4"	74.5	223	141	480	140	184	31	73	82	40
5"	97	277	141	556.5	190	230	47	73	82	42
6"	97	277	141	556.5	190	230	47	73	82	42
8"	121.5	353.5	155	671.5	239	279	71.5	80	82	42
10"	150.5	436.5	175.8	806.3	290	330	83	95	89	48

名 称

版数 ページ

Dimension MGI Circular Gate Valve